

## Pipe Blind Lockout Devices

### Design

- Versatile safety lockout devices secure the flange bolts of ½" to 48" diameter pipes:
- 1 or 2 flange bolt locking for extra security
- Extendable locking arm secures recessed bolt positions
- Fast, easy and effective application
- Designed for EPL Gb and Gc Explosive Atmospheres\*
- Complete the lockout with 1 to 4 padlocks.



### Material

- Cups and Latch: Aluminum A380
  - Red Polyester Powder Coating
- Bar: 304 Stainless Steel
- Rivets: 304 Stainless Steel
- Shoulder Screws: 304 Stainless Steel
- Spring Pins: 304 Stainless Steel

### Temperature Range

- -40°C to 90°C (-40°F to 194°F)

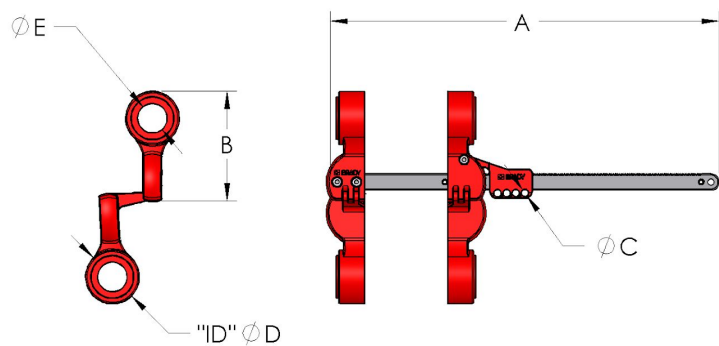
### Chemical Resistance

Chemical resistance determined with a one minute swab test. Results should be used as reference only. Contact Brady for further information.

Chemical	°C	Chemical	°C
Acetone	25	Petroleum	25
Acetone	60	Turpentine oil	25
Chlorine, chlorine water	25	Turpentine substitute (white spirit)	25
Fuel, engine: Gasoline (normal & premium grade)	85	Trichloroethane 1,1,1	45
Lubrication oil: gear oil	< 120	Lubricating oil: HD engine oils, hydraulic oils, transformer oils	< 120
Fuel, engine: M15 mixture (15% methanol)	70	Water (including seawater)	25
Methanol	25	etc.	xx

### Dimensions

	Small	Medium	Large
"A"	14.6" [371 mm]	17.6" [447 mm]	24.6" [625 mm]
"B"	4.07" [106 MM]	5.00" [127 mm]	6.05" [154 mm]
"C"	Ø0.31" [7 mm]		
"D"	Ø1.36" [35 mm]	Ø2.25" [57 mm]	Ø3.30" [84 mm]
"E"	Ø.798" [20 mm]	Ø1.31" [33 mm]	Ø1.93" [49 mm]



### Warranty

**Note:** All values shown are averages and should not be used for specification purposes. Test data and test results contained in this document are for general information only and shall not be relied upon by Brady customers for designs and specifications, or be relied on as meeting specified performance criteria. Customers desiring to develop specifications or performance criteria for specific product applications should contact Brady for further information.

Product compliance information is based upon information provided by suppliers of the raw materials used by Brady to manufacture this product or based on results of testing using recognized analytical methods performed by a third party, independent laboratory. As such, Brady makes no independent representations or warranties expressed or implied, and assumes no liability in connection with the use of this information.

**Explosive Atmosphere Warnings**

**ISO 80079-36:2016 EXPLOSIVE ATMOSPHERES - Part 36 Non-Electrical equipment for explosive atmospheres**

Pipe Blind Lockout Size	EPL Gb / Zone - Table 5	EPL Gc / Zone 2 - Table 6
Small	Group IIA, IIB, IIC*	Group IIA, IIB, IIC
Medium	Group IIA, IIB, IIC*	Group IIA, IIB, IIC
Large	Group IIA, IIB**, IIC*	Group IIA, IIB, IIC*

Warnings are based on impact energy calculations from table 5 and table 6 in the ISO80079-36:2016.

\*Warning: Before installing, all IIC gases (for example: hydrogen and acetylene) MUST NOT be present during installation and removal of PBLO device.

\*\*Warning: Before installing, all type IIB gases(for example: ethylene) MUST NOT be present during installation and removal of PBLO device.

**MSDS Information**

**1. HAZARDS IDENTIFICATION**

This product is NOT DANGEROUS and contains no hazardous ingredients.

**2. FIRST AID MEASURES/HEALTH INFORMATION /PROTECTION**

Eye Contact:	Not applicable, product is inert
Ingestion:	Not applicable, first aid is not normally required.
Inhalation:	Not applicable
Skin Contact:	Not applicable, product is inert, except if product is melted use gloves. For hot melted product, immerse in or flush affected area with water to dissipate heat, and then obtain medical attention.
Exposure Limits:	None
Threshold Limits	None
Personal Protection:	None (ambient conditions)
NPCA-HMIS Rating:	Health: 0; Flammability: 1; Reactivity: 0
NFPA-704 Rating:	Health: 0; Flammability: 1; Reactivity: 0

**3. FIRE-FIGHTING MEASURES**

<ul style="list-style-type: none"> <li>Isolate product from fire</li> <li>Extinguish fire with water spray</li> </ul>	<ul style="list-style-type: none"> <li>Respiratory and eye protection is required for fire fighting personnel</li> <li>Decomposition products under fire conditions: Oxygen-lean conditions may cause monoxide and irritating smoke</li> </ul>
---	--

**4. ACCIDENTAL RELEASE MEASURES**

Land	Recover material and place in suitable container for reuse or for disposal in conformance with local regulations.
Water	Recover material and place in suitable container for reuse or for disposal in conformance with local regulations.

**5. HANDLING AND STORAGE**

5.1 Handling	5.2 Storage
No precautions noted - see local regulation if needed	Storage Pressure: Atmospheric
	Storage Temperature: Ambient, no direct sunlight

**6. EXPOSURE CONTROLS/PERSONAL PROTECTION**

6.1 Exposure Limit Values	6.2 Exposure Controls
None	6.2.1 Occupational Exposure Controls
	6.2.1.1 Respiratory Protection: Not applicable
	6.2.1.2 Hand Protection: Not applicable
	6.2.1.3 Eye Protection: Not applicable
	6.2.1.4 Skin Protection: Not applicable
	6.2.2 Environmental Exposure Controls: No data available

**7. PHYSICAL AND CHEMICAL PROPERTIES**

General Information	
Other Information	

**8. STABILITY AND REACTIVITY**

8.1 Conditions to Avoid	Higher Temperatures and direct sunlight (chemical resistance is excellent) Highly stable, but temperatures over 480 F may cause degradation
8.2 Materials to Avoid	No data available
8.3 Hazardous Decomposition Products	Under fire and oxygen-lean conditions may cause monoxide and irritating smoke

**9. ECOLOGICAL INFORMATION**

9.1 Ecotoxicity	No data available
9.2 Mobility	No data available
9.3 Persistence and Degradability	No data available
9.4 Bioaccumulative Potential	No data available
9.5 Other Adverse Effects	No data available

**10. DISPOSAL CONSIDERATIONS**

None of the materials in this product are Recyclable, dispose of all materials in accordance with an applicable federal, state, and local law.
--

**11. TRANSPORT INFORMATION**

No data available
-------------------

**12. REGULATORY INFORMATION**

This product has been tested and validated to the Regulatory Requirements listed below:	
• OSHA 29 CFR 1910.147 ©(4)(ii)(A)(1)/(c)(5)(ii)(C)(1)	• ANSI Standard Z244

**13. OTHER INFORMATION**

No data available
-------------------